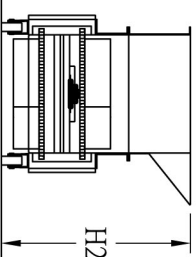
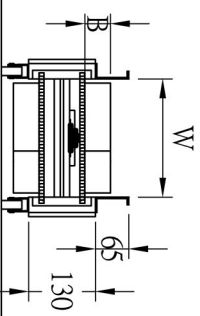
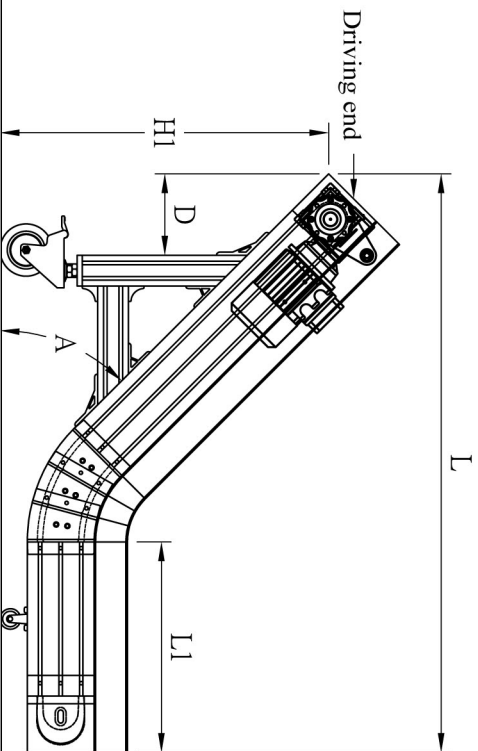


# MAL-200



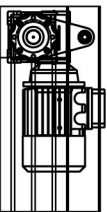
Standard type

High type

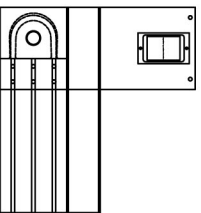
(with higher fences on both laterals, exchangeable to each other)

Motor types:

a. 3-phase motor  
(on a lateral)



b. single-phase motor  
(on the top)



Quantity of conveyor(s)/conveyor(s) = \_\_\_\_\_ machine(s)

Length(L) = \_\_\_\_\_ mm (L1) = \_\_\_\_\_ mm

Height(H) = \_\_\_\_\_ mm (H1) = \_\_\_\_\_ mm (H2) = \_\_\_\_\_ mm

Limit distance(D) = \_\_\_\_\_ mm

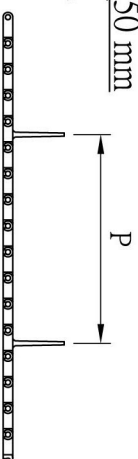
Angle of upward slope(A) = 15° / 30° / 45° / 60° / 75° / 90°

Width of mesh belt(W) = 128 / 179 / 230 / 280 / 330 / 380 /

430 / 481 / 532 / 582 mm

Height of mesh belt cleat (B) = 25 / 50 mm

Interval between cleat (P) = \_\_\_\_\_ mm



Motor types = a. / b. ps. For item b, please specify the

height products will pass = \_\_\_\_\_ mm

Power = 3-phase motor = 1/4hp / 1/2hp / 1hp ; single-phase motor = 60W / 90W

Voltage = \_\_\_\_\_ V ; frequency = 50Hz / 60Hz

Speed = \_\_\_\_\_ m/min ; speed adjustability = yes / no

Location = right / left, ps. facing the driving end of the conveyor;  
item b is the location of the speed adjuster

Foot types = 1. / 2. / 3.

Foot types:

1. Brake wheel



2. Round plate foot



3. Anti-skid foot



SHANG JYI-SHYANG ENTERPRISE CO., LTD.

No.650, Sec. 1, Kaixuan Rd., Guiren Dist., Tainan City 711, Taiwan

Tel: +886-3308628 Fax: +886-3308178

http://www.sjs.com.tw E-mail: sjs.jeffery@msa.hinet.net